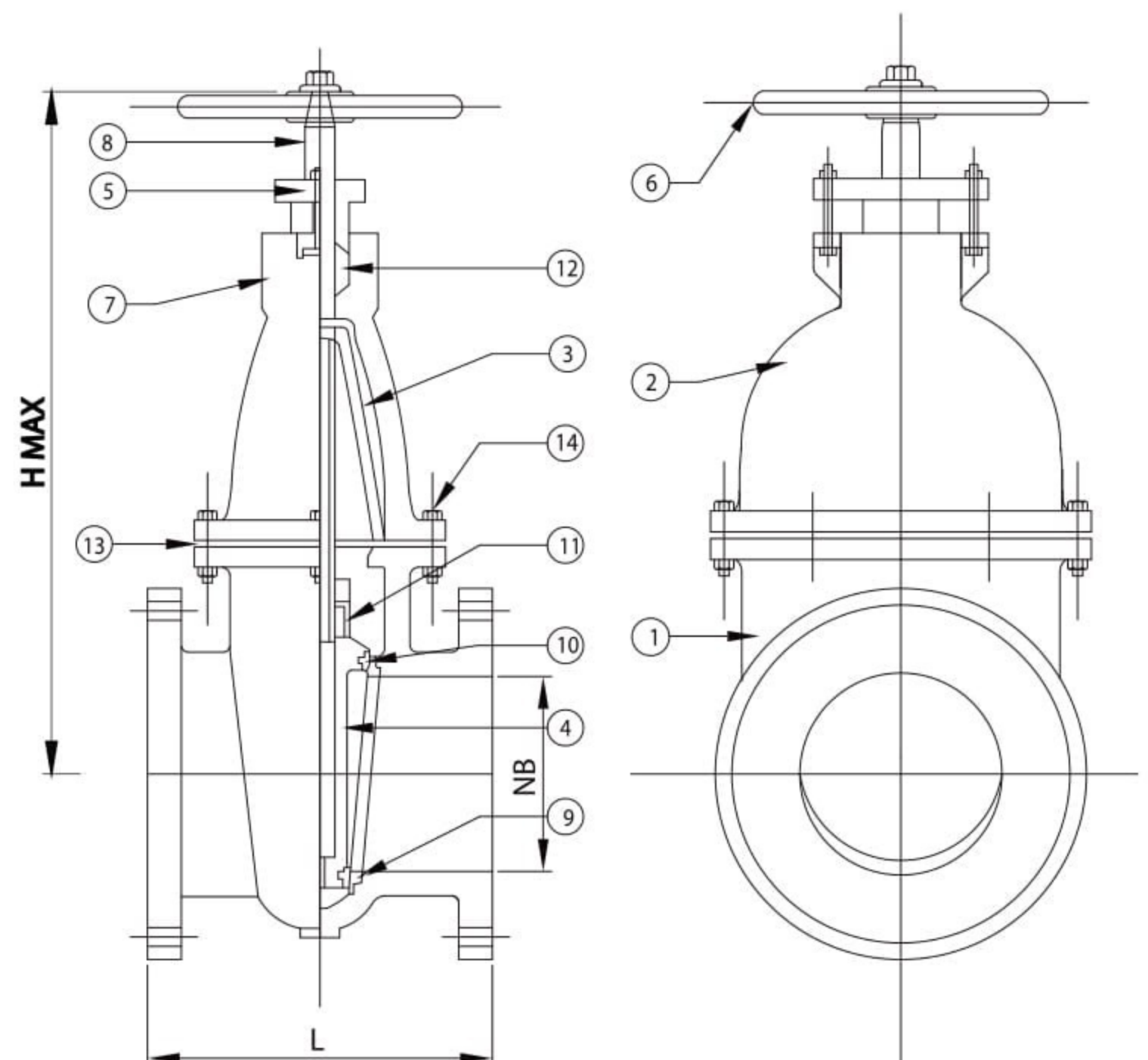


Technical Specifications - Cast Iron Gate Valve, Inside Screw, Non-Rising Spindle

<p>Type of Valve</p> <p>Materials of Construction:</p> <p>a. Body / Bonnet / Wedge b. Body / Wedge Seat & Seat Ring c. Spindle d. Thrust Plate e. Gland f. Handwheel g. Stuffing Box h. Wedge Nut g. Gland Packing h. Gasket i. Bolts & Nuts j. Ends</p> <p>Design</p> <p>Testing Standard</p> <p>Operation</p> <p>Dimension</p> <ul style="list-style-type: none"> • Flange Dimension <p>Hydraulic Test Pressure:-</p> <ul style="list-style-type: none"> • Rating • Body • Seat / Back Seats <p>Accessories</p> <p>Range</p>	<p>Non Rising Spindle and OS&Y Rising Spindle</p> <p>Cast Iron IS 210 FG 200 / 260 Bronze / Stainless Steel Brass / Stainless Steel IS 6603 GR. 12 CR-13 Cast Iron IS 210 FG 200 / 260 Cast Iron IS 210 FG 200 / 260 Cast Iron IS 210 FG 200 / 260 Cast Iron IS 210 FG 200 / 260 Bronze IS 318 LTB-2 Jute & Hemp IS 5414 Rubber IS 638 Type B Carbon Steel IS 1367 CL 4.0 / 4.6 To customer requirement</p> <p>IS 14846 / PN 1.0 / 1.6 Manual, Gear Operated, or Motorized.</p> <p>IS : 1538, Flat Face / ANSI B 1615 150#</p> <table style="width: 100%; border: none;"> <tr> <td style="width: 50%;">Pn 1.0</td> <td style="width: 50%;">Pn 1.6</td> </tr> <tr> <td>15 Kg/Cm²</td> <td>24 Kg/Cm²</td> </tr> <tr> <td>10 Kg/Cm²</td> <td>16 Kg/Cm²</td> </tr> </table> <p>Back Seat Arrangement, Position Indicator, Locking Arrangement, Bypass Arrangement, Drain Plug, Electric Actuator, Pneumatic Actuator, Limit Switch, Supervisory Switch</p> <p>50 mm NB to 1200 mm NB</p>	Pn 1.0	Pn 1.6	15 Kg/Cm ²	24 Kg/Cm ²	10 Kg/Cm ²	16 Kg/Cm ²
Pn 1.0	Pn 1.6						
15 Kg/Cm ²	24 Kg/Cm ²						
10 Kg/Cm ²	16 Kg/Cm ²						

Parts:

1. Body
2. Bonnet
3. Thrust Plate
4. Wedge
5. Gland
6. Handwheel
7. Stuffing Box
8. Spindle
9. Body Seat-Rings
10. Wedge Facing Ring
11. Wedge Nut
12. Gland Packing
13. Gasket
14. Bolts & Nuts



- Note**
- Description given is generalized, may vary as per requirement.
 - Specifications given above are subject to change as per revisions in standards without notice.
 - Quotations are based on customer's requirement and data. Customers are requested to send specific requirement for an offer.
 - All sizes in millimeter

H. Sarker & Company Valves (P) Ltd.

Works: Phone: +91 33 2653 1214 / 0061 • eMail: hsb1t09@gmail.com

Regd. Office: Ajit Sen Bhawan, 13 Crooked Lane, 2nd Floor, Kolkatta 700 069.

Phone: 033-22109163

